

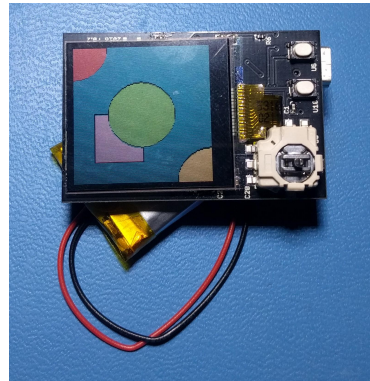
GA144 Powered Wearables Platform

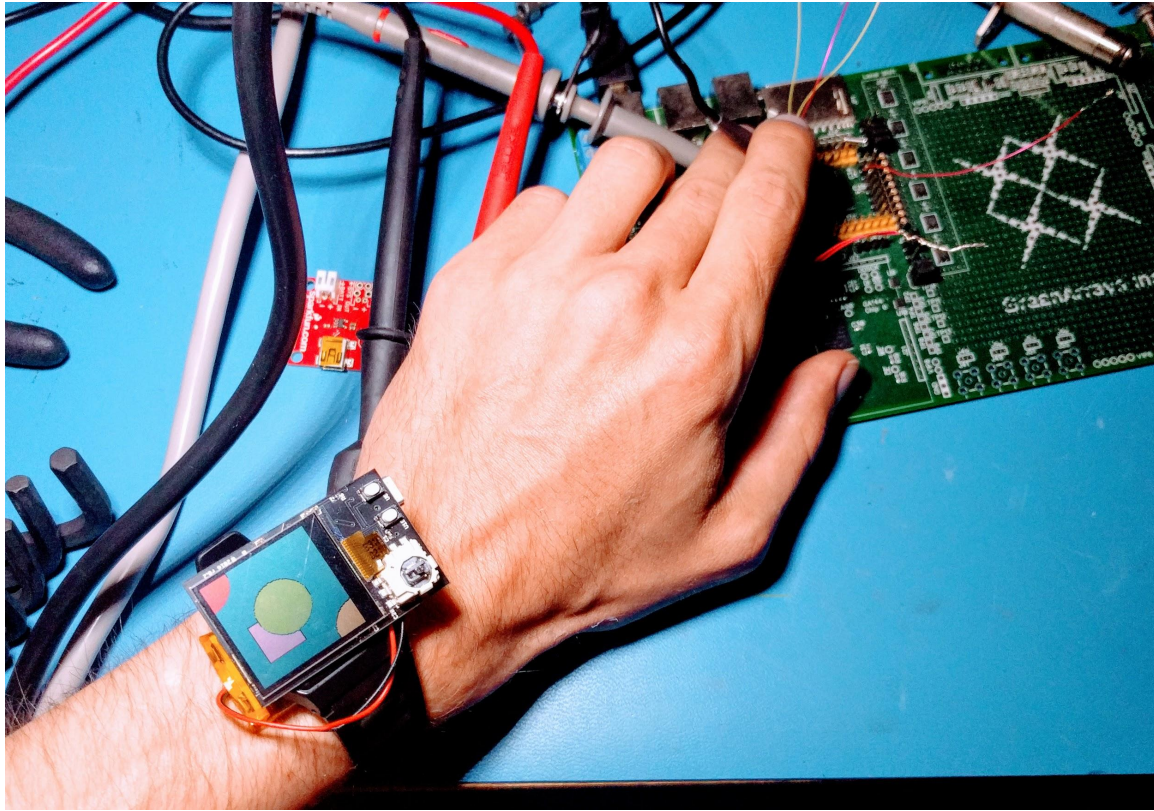
110GIPS on your wrist!

Michael Schuldt
Mark Flamer

Why.....?

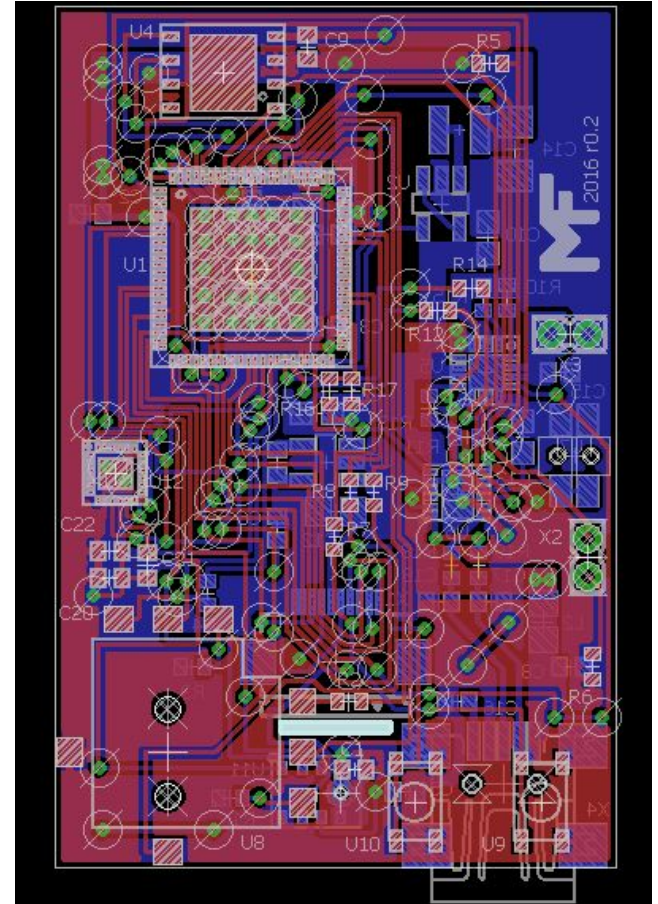
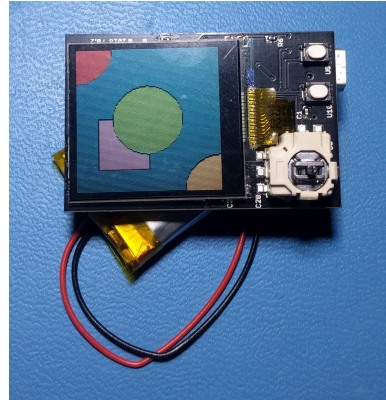
- GA144 can instantly scale from a standstill, gate leakage only state to full throttle. Perfect for wearables and “IOT”.
- Sleep most of the time, wakeup to process a burst of accelerometer or microphone input. Gesture recognition?, Speech commands?
- Could last months on a battery charge
- Some things are just too cool not to build! Who would not be proud to wear a GA144 powered watch?





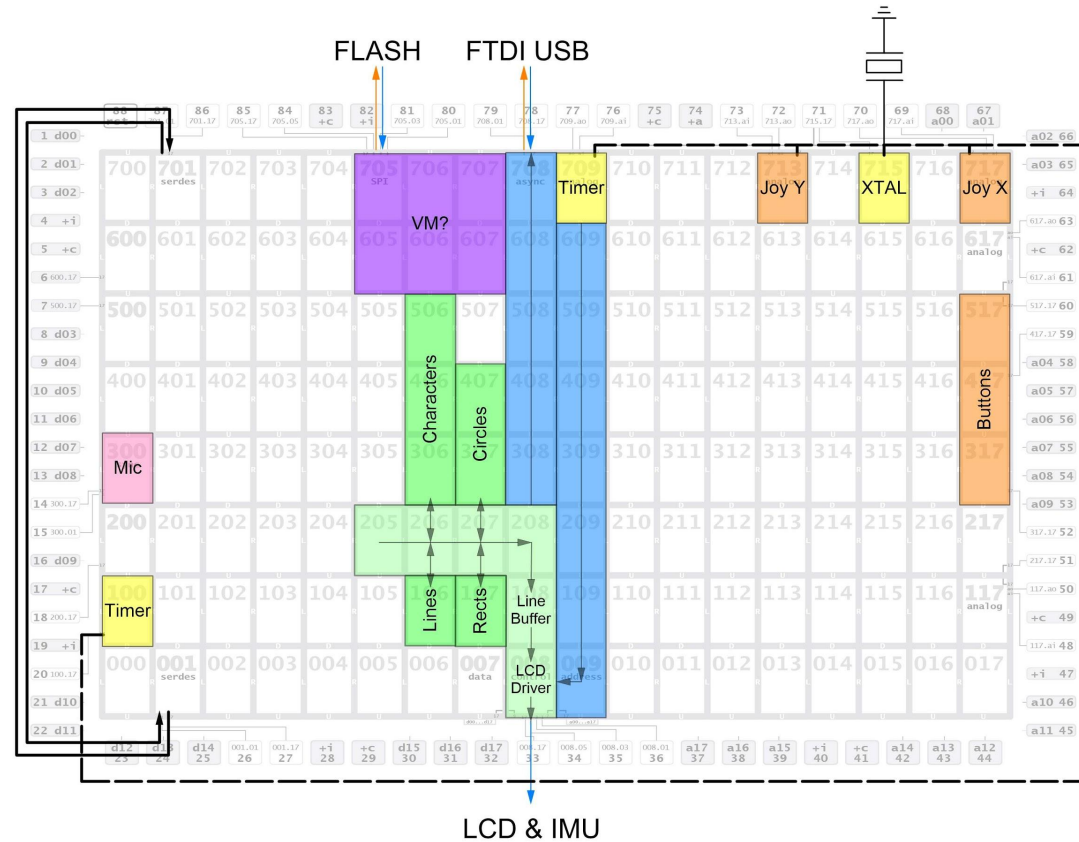
Hardware

- GA144
- Sharp 8 color 1.33in eInk display
- 128MB Flash
- USB interface and charging (lipo battery)
- 6 axis IMU (accelerometers and gyros)
- Digital microphone
- Analog Joystick!
- 3 buttons



Software

- 2D Graphics Pipeline
 - Rectangles (filled or empty)
 - Circles (filled or empty)
 - Lines (soon)
 - Text (soon)
- Timers using 32.768 KHz crystal
- Analog driver code for joystick
- Tons of room left on chip
- More coming soon....



Conclusion

- We would love more contributors
- <https://github.com/mflamer/GA144-watch>
- If you are interested contact markiflamer@gmail.com and maybe we can get you a unit to hack on.

Thanks!